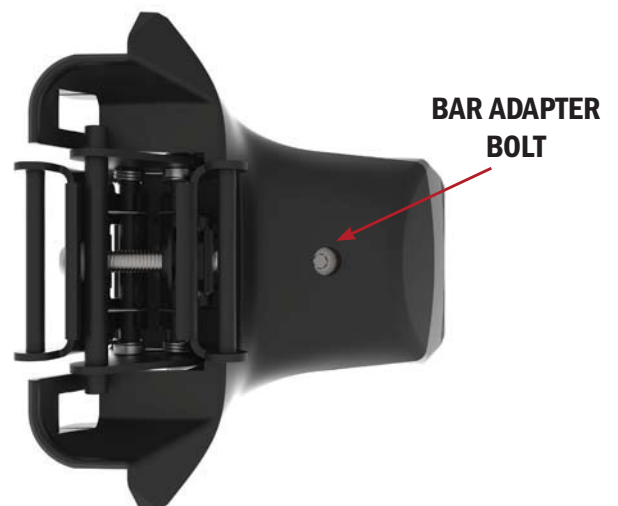
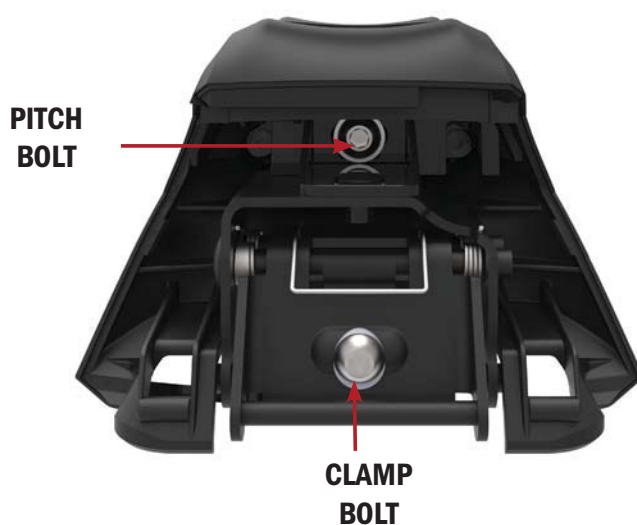


# RidgeLine™ Tower Install



| STEP | INSTRUCTION  |
|------|--|
| 1    | Insert bar seat into tower (it will snap into place)   |
| 2    | Fully loosen pitch bolt  |
| 3    | Install bar adapter to tower using bar adapter bolt and tighten to torque  |
| 4    | Slide towers onto bars.<br>a. With JetStream ensure the tabs from the bar seat are inserted into the T-slot  |
| 5    | Place front and rear towers on vehicle flush rails according to unique RidgeClip reference pages in this guide or the specific instructions that come with the RidgeClips  |
| 6    | Install all clips making sure they are seated into their respective hooks in the clip carriers using the unique RidgeClip reference pages in this guide or the specific instructions that come with the RidgeClips |
| 7    | Tighten clamp bolt to torque on all four towers  |
| 8    | Level front and rear bars then tighten pitch bolts to torque   |
| 9    | For JetStream bar only, remove the system and cut and install the infill. Then replace the system on the car repeating steps 6 and 7   |
| 10   | Install endcaps  |



# RidgeLine™ Replacement Parts

|   |  |   |  |
|---|--|---|--|
|    |   |   |   |
| <p>Torque Wrench<br/>8880613<br/>MSRP: \$6.00</p>                                   | <p>RidgeLine Tower Single<br/>8880624<br/>MSRP: \$60.00</p>                        | <p>RidgeLine Tower Rubber Topper<br/>8880625<br/>MSRP: \$2.00</p>                   | <p>RidgeLine Door Assembly<br/>8880626<br/>MSRP: \$8.00</p>                          |
|   |  |  |  |
| <p>RidgeLine Clip Bolt<br/>8880627<br/>MSRP: \$2.00</p>                             | <p>Tape Measure<br/>8880622<br/>MSRP: \$2.00</p>                                   | <p>Pitch Adjustment Bolts (4)<br/>8880615<br/>MSRP: \$4.00</p>                      | <p>RoundBar Adapter &amp; Seat<br/>8880641<br/>MSRP: \$8.00</p>                      |
|  |  |   |  |
| <p>RidgeLine Foot w/ Pad<br/>8880648<br/>MSRP: \$4.00</p>                           |  |   |  |