



TAKE IT EASY.

# Attaching the LockNLoad

There are 2 ways to attach the LockNLoad platform to your vehicle. One is to utilize your existing roof rack and attach it directly to the crossbars or, build LockNLoad as a roof rack and attach directly to the towers.

## Option ① Attach Directly to Existing Roof Rack or Truck Rack Crossbars

The LockNLoad Crossbar Clamps allow you to attach the platform to your existing roof rack or truck rack. It is compatible with all Yakima crossbars as well as many other brands.

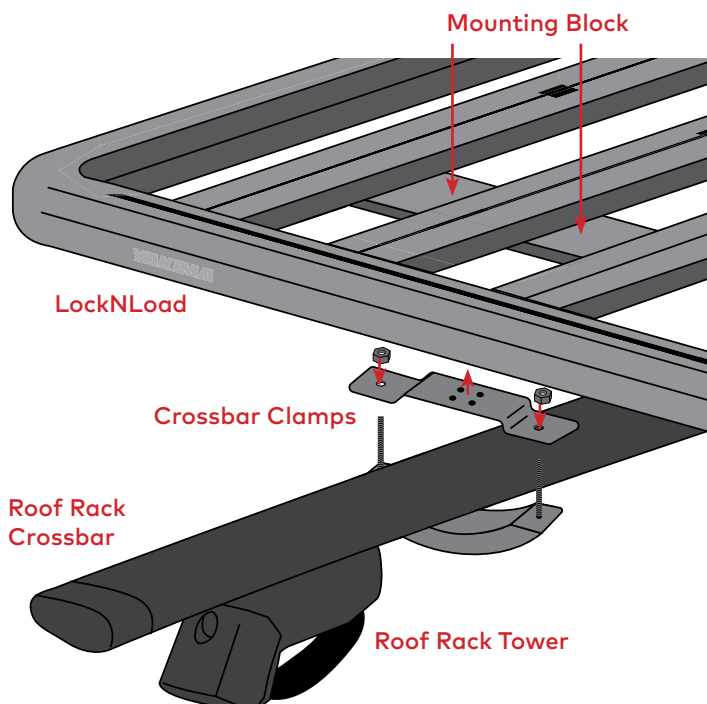
### HOW?

The clamps attach to the Platform mounting blocks then are simply bolted to the lower half of the clamp around the crossbar.

### WHAT TO BUY:

- **1 LockNLoad Platform**  
Check what size that fits your vehicle:  
[yakima.com/locknload-platform](http://yakima.com/locknload-platform)
- **Sizes - K&B - 2 sets of LockNLoad Crossbar Clamps\***
- **Sizes - J, E, N, & H - 3 sets of LockNLoad Crossbar Clamps\***

\* For increased weight rating see Weight Rating and Application Chart for details.



## Option ② Attach Directly to Roof Rack Towers

The LockNLoad SL adapter allows you to connect the platform to a Yakima StreamLine Tower. The platform takes the place of the roof rack crossbars. The SL Adapter is only compatible with TimberLine and SkyLine towers.

### HOW?

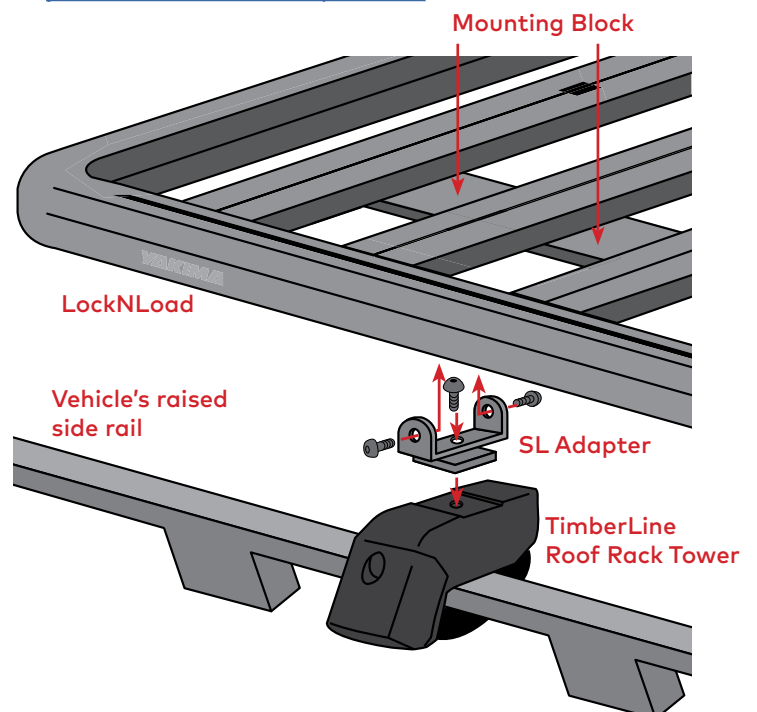
The Adapter sits in the tower and is bolted together, then the tower + adapter are bolted to the platform.

### WHAT TO BUY:

- **1 LockNLoad Platform**  
Check what size fits your vehicle:  
[yakima.com/locknload-platform](http://yakima.com/locknload-platform)
- **Sizes - K&B - 2 sets of LockNLoad SL Adapter\***
- **Sizes - J, E, N, & H - 3 sets of LockNLoad SL Adapter\***

\* For increased weight rating see Weight Rating and Application Chart for details.

- **SkyLine or TimberLine Towers** - Find your vehicle fit at [yakima.com/locknload-platform](http://yakima.com/locknload-platform)



These are not instructions for installation.