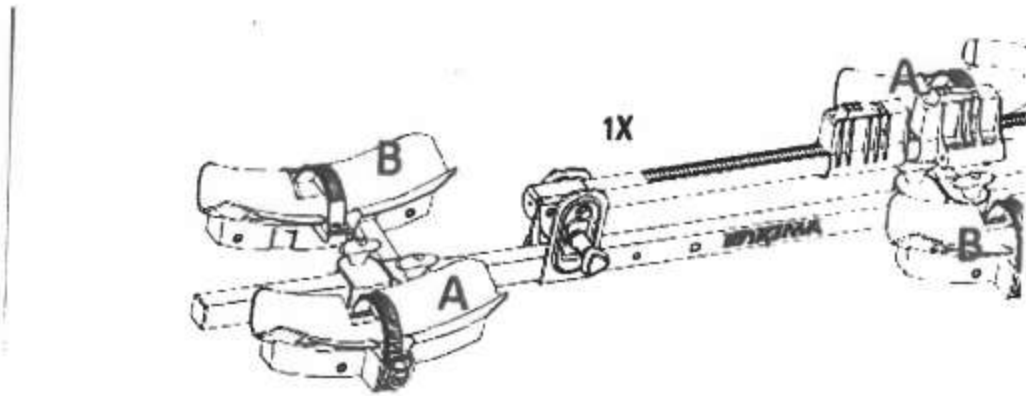


Nearest the back of the car (Front)



Furthest from the back of the car (Rear)

